

# GROUND FORCE<sup>®</sup>



SUSPENSION SYSTEMS



Your complete source for premier light truck suspension enhancements

[www.groundforce.com](http://www.groundforce.com)

PROUDLY DESIGNED, ENGINEERED, AND MANUFACTURED IN THE USA

Machining will Accept  
Large Brake Systems

Fits 2WD, 4WD, and AWD

Steering Stops Design  
Allows Maximum  
Turning Radius

Powder Coated Finish

AIR FLOW

Design  
Allows Standard  
Thickness Lower  
Ball Joint Nut

Patented

# NEW SPINDLE COOLING TECHNOLOGY

GROUND FORCE REVOLUTIONARY DESIGN

EXCLUSIVE FOR THE GMT 900 TRUCKS - PART #6010



DESIGNED - ENGINEERED - MANUFACTURED

# GROUND FORCE<sup>®</sup>

SUSPENSION SYSTEMS

Engineered  
from the  
Ground  
Up!



For nearly three decades, Ground Force Suspension Systems has been a leading manufacturer in tuned performance suspension systems for your 2WD/4WD light-truck, SUV, crossover, and performance muscle cars! All Ground Force suspension systems and components have been subjected to rigorous in-house and track testing, giving your vehicle the optimal ride, drive set-up and safety you demand! Our engineers work side-by-side with the OE automotive manufacturers, adding in suspension development on many performance vehicles offered today right from your dealerships and on the track.

All Ground Force kits and components are designed for easy purchasing and bolt-on installation, from our part number system which identifies our kits, right down to the limited lifetime warranty of all products by Ground Force. Each and every system is complete, with high performance nitrogen gas shocks (when stated), drive-line alignment hardware, bump stops, and optional coil spring, leaf spring, or spindle applications. Countless hours at the track and in our R&D center have allowed us to continue to make the best domestically made suspension systems in the business.

Remember, any suspension kit can make your vehicle look good, but once the car show and pictures are over you have to live with that choice.

## IT'S YOUR RIDE, MODIFY IT RIGHT!



**WARNING:** Modifying an original equipped vehicle will result in a vehicle handling differently. All types of suspension modifications will affect reaction, ride, handling and wear and tear rate of a vehicle and its components. Abrupt maneuvers, sharp and sudden turns and weather conditions will increase the vehicle's susceptibility for loss of control. Death and serious injury could be the result if you fail to operate a modified vehicle safely. Know and follow the laws of the states.

[www.groundforce.com](http://www.groundforce.com)

# GROUND FORCE

## MOST POPULAR APPLICATIONS

### CHEVROLET/GMC C-1500



2007-2013 **FULL LOWERING KIT #9857**

2014-UP **REAR LOWERING KIT #91216**

2007-2013 **FRONT LEVELING KIT #3812P**



### FORD F-150



2009-2014 **FULL LOWERING KIT #9861**

2004-2014 **REAR LOWERING KIT #91200**

2004-2014 **FRONT LEVELING KIT #3810**



### DODGE/RAM 1500



2009-2014 **FULL LOWERING KIT #9984**

2009-2014 **REAR LOWERING KIT #91214**

2009-2014 **FRONT LEVELING KIT #3817**



# Complete Lowering Kits

## Cadillac - Chevrolet

### Cadillac

YEAR	DRIVETRAIN	CAB SIZE	LOWER		NOTES	KIT #	KIT CONTENTS
			FRONT	REAR			
2015 and up	2WD / 4WD / AWD	--	2.00"	3.00"	All vehicles with rear air suspension	<b>NEW 9882</b>	Front coils, rear coils, rear sway bar spacers, and rear air brackets
2007-2014	2WD / AWD	--	1.50"	2.50"	All vehicles with rear air suspension, including ESV/EXT	<b>9979</b>	Front coils, rear coils, rear sway bar spacers, and rear air brackets
2007-2014	2WD / 4WD / AWD	--	2.00"	2.75"	All vehicles with rear air suspension, including ESV/EXT	<b>9855</b>	Front spindles, rear coils, rear sway bar spacers, and rear air brackets
2001-2006	2WD / 4WD	--	2.00"	3.00"	All vehicles with rear air suspension, including ESV/EXT	<b>9958</b>	Front torsion keys, rear coils, and air brackets

### Chevrolet

YEAR	DRIVETRAIN	CAB SIZE	LOWER		NOTES	KIT #	KIT CONTENTS
			FRONT	REAR			
2007-2013	2WD / 4WD	Crew Cab	1.50"	2.50"	All vehicles with rear air suspension	<b>9979</b>	Front coils, rear coils, rear sway bar spacers, and rear air brackets
2007-2013	2WD	Crew Cab	1.50"	2.50"		<b>9991</b>	Front coils, rear coils, and rear shocks
2007-2013	4WD	Crew Cab	1.50"	2.75"	All vehicles without rear air suspension	<b>9977</b>	Front coils, rear coils, and rear shocks
2007-2013	2WD / 4WD / AWD	Crew Cab	2.00"	2.75"	All vehicles with rear air suspension	<b>9855</b>	Front spindles, rear coils, rear sway bar spacers, and rear air brackets
2007-2013	2WD / 4WD	Crew Cab	2.00"	2.75"		<b>9856</b>	Front spindles, rear coils, rear shocks, bump stops, and sway bar spacers
2001-2006	2WD / 4WD	Crew Cab	2.00"	2.50"	All vehicles without rear air suspension	<b>9972</b>	Front torsion bar adjusters, rear coils, and front and rear shocks
2000-2006	2WD	Crew Cab	2.00"	3.00"		<b>9917</b>	Front torsion keys, rear coils, front and rear shocks
2001-2006	2WD / 4WD	Crew Cab	2.00"	3.00"	All except Z71	<b>9956</b>	Front torsion bar adjusters, rear coils, front and rear shocks

### Blazer

1982-2003		--	3.00"	3.00"	Two-Door Only	<b>9921</b>	Coils and blocks
-----------	--	----	-------	-------	---------------	-------------	------------------

### Camaro

2010-2014		--	1.00"	1.00"	All vehicles with V8 engine only	<b>5010</b>	Front and rear performance coils
-----------	--	----	-------	-------	----------------------------------	-------------	----------------------------------

### Colorado

2004-2012		Crew Cab	1.00"	2.00"	ZQ8 Sport	<b>9942</b>	Coils, blocks, bump stops, U-bolts, spring plates, and rear shocks
2004-2012		Regular Cab	2.00"	2.00"	Z85 Only	<b>9938</b>	Front coils, rear blocks and rear spring plates
2004-2012		Crew Cab	2.00"	3.00"	Z85 Only	<b>9932</b>	Front coils, rear blocks, and rear spring plates

### S-10 Pickup

1982-2003		--	3.00"	3.00"	4-cyl Engine	<b>9920</b>	Coils and blocks
1982-2003		--	3.00"	3.00"	6-cyl Engine	<b>9921</b>	Coils and blocks

2007 Cadillac Escalade with Complete Lowering Kit #9979 Installed



Please visit our website at [WWW.GROUNDFORCE.COM](http://WWW.GROUNDFORCE.COM) for the most current fitment lists

# Complete Lowering Kits

## Chevrolet

### Chevrolet (continued)

YEAR	DRIVETRAIN	CAB SIZE	LOWER		NOTES	KIT #	KIT CONTENTS
			FRONT	REAR			
<b>Silverado 1500</b>							
2014 and up	2WD	Double Cab / Crew Cab	2.00"	3.00"		<b>NEW</b> 9879	Front coils, rear shackles, bump stops, and hardware
2014 and up	2WD	Double Cab / Crew Cab	2.00"	4.00"		<b>NEW</b> 9877	Front coils, rear flip kit, rear shocks, rear shackles and hangers, and bump stops
2014 and up		Double Cab / Crew Cab	2.00"	4.00"		<b>NEW</b> 9878	Front cast steel spindles, rear flip kit, rear shocks, rear shackles and hangers, and bump stops
2014 and up		Regular Cab	2.00"	4.50"		<b>NEW</b> 9880	Front cast steel spindles, rear flip kit, rear shocks, rear shackles and hangers, and bump stops
2007-2013	2WD / 4WD / AWD	Extended Cab / Crew Cab	2.00"	4.00"	Fits 2007 Silverado with new body style	9857	Front spindles, rear leafs, rear shocks, bump stops, and wedges
2004-2006	2WD	Extended Cab	2.00"	2.00"	All vehicles with 5.3L or 6.0L engine with torsion front suspension	9939	Front torsion keys, rear shackles, bump stops, wedges, front and rear shocks
1988-1998	2WD	Regular Cab	2.00"	4.00"	All vehicles with 1 inch rotor	9024	Front spindles, hangers, shackles, and shocks
<b>Silverado SS</b>							
2003-2005	AWD	--	2.00"	2.00"		9971	Front torsion keys, rear shackles, and shocks
<b>SSR</b>							
2004-2006		--	1.00"	1.50"	All vehicles with 5.3L or 6.0L engine	9990	Front and rear coils
<b>Suburban</b>							
2015 and up	2WD / 4WD / AWD	--	2.00"	3.00"	All vehicles with rear air suspension	<b>NEW</b> 9882	Front coils, rear coils, rear sway bar spacers, and rear air brackets
2015 and up	2WD	--	2.00"	3.00"		<b>NEW</b> 9883	Front coils, rear coils, and rear shocks
2015 and up	4WD	--	2.00"	3.00"		<b>NEW</b> 9889	Front coils, rear coils, and rear shocks
2007-2014	2WD / AWD	--	1.50"	2.50"	All vehicles with rear air suspension	9979	Front coils, rear coils, rear sway bar spacers, and rear air brackets
2007-2014	2WD	--	1.50"	2.50"		9991	Front coils, rear coils, and rear shocks
2007-2014	4WD	--	1.50"	2.75"	All vehicles without rear air suspension	9977	Front coils, rear coils, and rear shocks
2007-2014	2WD / 4WD / AWD	--	2.00"	2.75"	All vehicles with rear air suspension	9855	Front spindles, rear coils, rear sway bar spacers, and rear air brackets
2007-2014	2WD / 4WD	--	2.00"	2.75"		9856	Front spindles, rear coils, rear shocks, bump stops, and sway bar spacers
2001-2006	2WD / 4WD	--	2.00"	2.50"	All vehicles without rear air suspension	9972	Front torsion bar adjusters, rear coils, and front and rear shocks
2000-2006	2WD	--	2.00"	3.00"		9917	Front torsion keys, rear coils, front and rear shocks
2001-2006	2WD / 4WD	--	2.00"	3.00"	All except Z71	9956	Front torsion bar adjusters, rear coils, front and rear shocks
2001-2006	4WD	--	2.00"	3.00"	Z71	9957	Front torsion bar adjusters, rear coils, front and rear shocks
2001-2006	2WD / 4WD	--	2.00"	3.00"	All vehicles with rear air suspension	9958	Front torsion keys, rear coils, and air brackets

2007 Chevrolet Tahoe with Complete Lowering Kit #9856 Installed



Please visit our website at [WWW.GROUNDFORCE.COM](http://WWW.GROUNDFORCE.COM) for the most current fitment lists

# Complete Lowering Kits

## Chevrolet - Dodge

### Chevrolet (continued)

YEAR	DRIVETRAIN	CAB SIZE	LOWER		NOTES	KIT #	KIT CONTENTS
			FRONT	REAR			
<b>Tahoe</b>							
2015 and up	2WD / 4WD / AWD	--	2.00"	3.00"	All vehicles with rear air suspension	<b>NEW</b> 9882	Front coils, rear coils, rear sway bar spacers, and rear air brackets
2015 and up	2WD	--	2.00"	3.00"		<b>NEW</b> 9883	Front coils, rear coils, and rear shocks
2015 and up	4WD	--	2.00"	3.00"		<b>NEW</b> 9989	Front coils, rear coils, and rear shocks
2007-2014	2WD / AWD	--	1.50"	2.50"	All vehicles with rear air suspension	9979	Front coils, rear coils, rear sway bar spacers, and rear air brackets
2007-2014	2WD	--	1.50"	2.50"		9991	Front coils, rear coils, and rear shocks
2007-2014	4WD	--	1.50"	2.75"	All vehicles without rear air suspension	9977	Front coils, rear coils, and rear shocks
2007-2014	2WD / 4WD / AWD	--	2.00"	2.75"	All vehicles with rear air suspension	9855	Front spindles, rear coils, rear sway bar spacers, and rear air brackets
2007-2014	2WD / 4WD	--	2.00"	2.75"		9856	Front spindles, rear coils, rear shocks, bump stops, and sway bar spacers
2001-2006	2WD / 4WD	--	2.00"	2.50"	All vehicles without rear air suspension	9972	Front torsion bar adjusters, rear coils, and front and rear shocks
2000-2006	2WD	--	2.00"	3.00"		9917	Front torsion keys, rear coils, front and rear shocks
2001-2006	2WD / 4WD	--	2.00"	3.00"	All except Z71	9956	Front torsion bar adjusters, rear coils, front and rear shocks
2001-2006	4WD	--	2.00"	3.00"	Z71	9957	Front torsion bar adjusters, rear coils, front and rear shocks
2001-2006	2WD / 4WD	--	2.00"	3.00"	All vehicles with rear air suspension	9958	Front torsion keys, rear coils, and air brackets

### Dodge

YEAR	DRIVETRAIN	CAB SIZE	LOWER		NOTES	KIT #	KIT CONTENTS
			FRONT	REAR			
<b>Ram 1500</b>							
2009 and up	2WD	Crew Cab / Quad Cab	2.00"	3.00"		9863	Front coils, front shocks, rear coils, rear shocks, and cell foam bump stops
2009 and up	2WD	Regular Cab	2.00"	3.00"		9864	Front coils, front shocks, rear coils, rear shocks, and cell foam bump stops
2009 and up	4WD	Regular Cab	2.00"	3.00"		9983	Front coils, rear coils, rear shocks, and sway bar spacers
2009 and up	4WD	Crew Cab / Quad Cab	2.00"	3.00"		9984	Front coils, rear coils, rear shocks, and sway bar spacers
2006-2008	4WD	Crew Cab	2.00"	4.00"		9980	Front coils, rear flip kit, and rear shocks
2006-2008	2WD	Crew Cab	2.50"	4.30"		9859	Front coils, rear flip kit, bump stops, and shocks
2006-2008	2WD	Regular Cab	2.50"	4.30"		9992	Front coils, rear flip kit, bump stops, and shocks
2002-2005		Regular Cab	1.50"	4.30"		9929	Front coils, rear flip kit, bump stops, and shocks
2002-2005		Crew Cab	1.50"	4.30"		9930	Front coils, rear flip kit, bump stops, and shocks
2002-2005	4WD	Regular Cab	2.00"	4.00"		9970	Front torsion keys, rear flip kit, front and rear shocks
2002-2005	4WD	Crew Cab	2.00"	4.00"		9970	Front torsion keys, rear flip kit, front and rear shocks
<b>Ram SRT10</b>							
2004-2006		Regular Cab	1.00"	2.00"		9947	Coils, rear blocks, bump stops, rear shocks, and hardware
2004-2006		Crew Cab	2.00"	4.00"		9948	Front coils, rear flip kit, bump stops, and rear shocks

# Complete Lowering Kits

## Ford - GMC

### Ford

YEAR	DRIVETRAIN	CAB SIZE	LOWER		NOTES	KIT #	KIT CONTENTS
			FRONT	REAR			

#### Expedition

1997-2002	2WD	--	2.00"	2.00"	All vehicles with rear coil suspension only	9912	Front coils, rear coils, and shocks
-----------	-----	----	-------	-------	---	------	-------------------------------------

#### F-150

2015 and up	4WD	Super Cab / Super Crew	1.50"	2.50"		<b>NEW</b> 9988	TBA
2015 and up	2WD	Super Cab / Super Crew	2.00"	4.00"		<b>NEW</b> 9881	TBA
2009-2014	4WD	Super Cab / Super Crew	1.50"	3.00"		9987	Front coils, rear shackles, and pinon angle hardware
2009-2014	2WD	Super Cab / Super Crew	2.00"	4.00"		9861	Front coils, rear performance leafs, rear performance shocks, carrier bearing brackets, drive-line hardware, and cell foam bump stops
2004-2008	4WD	--	2.00"	3.00"		9966	Coils, bump stops, shackles, U-bolts, bump stop extensions, and rear shocks
2004-2008	2WD	Regular Cab / Super Cab	2.00"	5.00"		9933	Front coils, rear flip kit, bump stops, and rear shocks
1997-2003	2WD	Regular Cab / Super Cab / Super Crew	2.00"	4.00"	1/2 Ton	9911	Coils, hangers, shackles and shocks

#### F-150 Harley Davidson

1999-2004		--	1.00"	2.00"		9902	Coils and shackles
1999-2004		--	1.00"	2.00"		9903	Coils, shackles, and shocks

#### F-150 Heritage

2004	2WD	--	2.00"	4.00"		9911	Coils, hangers, shackles and shocks
------	-----	----	-------	-------	--	------	-------------------------------------

#### F-150 Lightning

1999-2004		--	1.00"	2.00"		9902	Coils and shackles
1999-2004		--	1.00"	2.00"		9903	Coils, shackles, and shocks

#### Mustang

2005-2014		--	1.00"	1.40"	V6; All coupe and convertible vehicles	5003	Front coils, rear coils, and alignment cam
-----------	--	----	-------	-------	--	------	--

#### Mustang GT

2005-2014		--	1.30"	1.40"	V8; All coupe and convertible vehicles	5000	Front coils, rear coils, and alignment cam
-----------	--	----	-------	-------	--	------	--

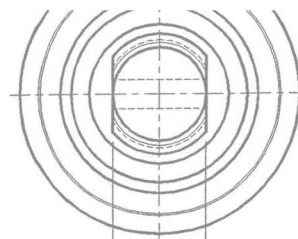
### GMC

YEAR	DRIVETRAIN	CAB SIZE	LOWER		NOTES	KIT #	KIT CONTENTS
			FRONT	REAR			

#### Canyon

2004-2012		Regular Cab	2.00"	2.00"	Z85 Only	9938	Front coils, rear blocks and rear spring plates
2004-2012		Crew Cab	2.00"	3.00"	Z85 Only	9932	Front coils, rear blocks, and rear spring plates

2009 Ford F-150 with Complete Lowering Kit #9861 Installed





### GMC (continued)

YEAR	DRIVETRAIN	CAB SIZE	LOWER		NOTES	KIT #	KIT CONTENTS
			FRONT	REAR			
<b>Sierra 1500</b>							
2014 and up	2WD	Double Cab / Crew Cab	2.00"	3.00"		<b>NEW</b> 9879	Front coils, rear shackles, bump stops, and hardware
2014 and up	2WD	Double Cab / Crew Cab	2.00"	4.00"		<b>NEW</b> 9877	Front coils, rear flip kit, rear shocks, rear shackles and hangers, and bump stops
2014 and up		Double Cab / Crew Cab	2.00"	4.00"		<b>NEW</b> 9878	Front cast steel spindles, rear flip kit, rear shocks, rear shackles and hangers, and bump stops
2014 and up		Regular Cab	2.00"	4.50"		<b>NEW</b> 9880	Front cast steel spindles, rear flip kit, rear shocks, rear shackles and hangers, and bump stops
2007-2013	2WD / 4WD / AWD	Extended Cab / Crew Cab	2.00"	4.00"	Fits 2007 Sierra with new body style	9857	Front spindles, rear leafs, rear shocks, bump stops, and wedges
<b>Sierra 1500 Denali</b>							
2007-2013	2WD / 4WD / AWD	Extended Cab / Crew Cab	2.00"	4.00"		9857	Front spindles, rear leafs, rear shocks, bump stops, and wedges
<b>Yukon</b>							
2015 and up	2WD / 4WD / AWD	--	2.00"	3.00"	All vehicles with rear air suspension	<b>NEW</b> 9882	Front coils, rear coils, rear sway bar spacers, and rear air brackets
2015 and up	2WD	--	2.00"	3.00"		<b>NEW</b> 9883	Front coils, rear coils, and rear shocks
2015 and up	4WD	--	2.00"	3.00"		<b>NEW</b> 9989	Front coils, rear coils, and rear shocks
2007-2014	2WD	--	1.50"	2.50"		9991	Front coils, rear coils, and rear shocks
2007-2014	4WD	--	1.50"	2.75"	All vehicles without rear air suspension	9977	Front coils, rear coils, and rear shocks
2007-2014	2WD / 4WD / AWD	--	2.00"	2.75"	All vehicles with rear air suspension	9855	Front spindles, rear coils, rear sway bar spacers, and rear air brackets
2007-2014	2WD / 4WD	--	2.00"	2.75"		9856	Front spindles, rear coils, rear shocks, bump stops, and sway bar spacers
2001-2006	2WD / 4WD	--	2.00"	2.50"	All vehicles without rear air suspension	9972	Front torsion bar adjusters, rear coils, and front and rear shocks
2000-2006	2WD / 4WD	--	2.00"	3.00"		9917	Front torsion keys, rear coils, front and rear shocks
2001-2006	2WD / 4WD	--	2.00"	3.00"	All except Z71	9956	Front torsion bar adjusters, rear coils, front and rear shocks
2001-2006	2WD / 4WD	--	2.00"	3.00"	All vehicles with rear air suspension	9958	Front torsion keys, rear coils, and air brackets
<b>Yukon Denali</b>							
2015 and up	2WD / 4WD / AWD	--	2.00"	3.00"	All vehicles with rear air suspension	<b>NEW</b> 9882	Front coils, rear coils, rear sway bar spacers, and rear air brackets
2007-2014	2WD / AWD	--	1.50"	2.50"	All vehicles with rear air suspension	9979	Front coils, rear coils, rear sway bar spacers, and rear air brackets
2007-2014	2WD / 4WD / AWD	--	2.00"	2.75"	All vehicles with rear air suspension	9855	Front spindles, rear coils, rear sway bar spacers, and rear air brackets
2001-2006	2WD / 4WD	--	2.00"	3.00"	All vehicles with rear air suspension	9958	Front torsion keys, rear coils, and air brackets



# Complete Lowering Kits

## GMC - Lincoln

### GMC (continued)

YEAR	DRIVETRAIN	CAB SIZE	LOWER		NOTES	KIT #	KIT CONTENTS
			FRONT	REAR			
<b>Yukon XL</b>							
2015 and up	2WD / 4WD / AWD	--	2.00"	3.00"	All vehicles with rear air suspension	<b>NEW 9882</b>	Front coils, rear coils, rear sway bar spacers, and rear air brackets
2015 and up	2WD	--	2.00"	3.00"		<b>NEW 9883</b>	Front coils, rear coils, and rear shocks
2015 and up	4WD	--	2.00"	3.00"		<b>NEW 9889</b>	Front coils, rear coils, and rear shocks
2007-2014	2WD / AWD	--	1.50"	2.50"	All vehicles with rear air suspension	<b>9979</b>	Front coils, rear coils, rear sway bar spacers, and rear air brackets
2007-2014	2WD	--	1.50"	2.50"		<b>9991</b>	Front coils, rear coils, and rear shocks
2007-2014	4WD	Regular Cab	1.50"	2.75"	All vehicles without rear air suspension	<b>9977</b>	Front coils, rear coils, and rear shocks
2007-2014	2WD / 4WD / AWD	--	2.00"	2.75"	All vehicles with rear air suspension	<b>9855</b>	Front spindles, rear coils, rear sway bar spacers, and rear air brackets
2007-2014	2WD / 4WD	--	2.00"	2.75"		<b>9856</b>	Front spindles, rear coils, rear shocks, bump stops, and sway bar spacers
2001-2006	2WD / 4WD	--	2.00"	2.50"	All vehicles without rear air suspension	<b>9972</b>	Front torsion bar adjusters, rear coils, and front and rear shocks
2000-2006	2WD	--	2.00"	3.00"		<b>9917</b>	Front torsion keys, rear coils, front and rear shocks
2001-2006	2WD / 4WD	--	2.00"	3.00"	All except Z71	<b>9956</b>	Front torsion bar adjusters, rear coils, front and rear shocks
2001-2006	2WD / 4WD	--	2.00"	3.00"	All vehicles with rear air suspension	<b>9883</b>	Front coils, rear coils, and rear shocks
2001-2006	2WD / 4WD	--	2.00"	3.00"		<b>9958</b>	Front torsion keys, rear coils, and air brackets
2007-2014	2WD	--	1.50"	2.50"		<b>9991</b>	Front coils, rear coils, and rear shocks

### Hummer

YEAR	DRIVETRAIN	CAB SIZE	LOWER		NOTES	KIT #	KIT CONTENTS
			FRONT	REAR			
<b>Hummer H2</b>							
2002-2009	AWD	--	2.00"	3.00"	All H2/SUV/SUT with rear air suspension	<b>9965</b>	Front torsion keys, rear air bracket, rear shocks, and hardware
2002-2009	AWD	--	2.00"	3.50"	All H2/SUV/SUT without rear air suspension	<b>9963</b>	Front torsion keys, rear coils, rear shocks, and hardware
<b>Hummer H3</b>							
2006-2007	4WD	--	1.00"	3.00"	All except Z71	<b>9974</b>	Alignment cams, rear blocks, and rear shocks

### Lincoln

YEAR	DRIVETRAIN	CAB SIZE	LOWER		NOTES	KIT #	KIT CONTENTS
			FRONT	REAR			
2004	2WD / AWD	--	1.50"	2.50"	All vehicles with rear air suspension	<b>9979</b>	Front coils, rear coils, rear sway bar spacers, and rear air brackets
2005-2008	4WD	--	2.00"	3.00"		<b>9966</b>	Coils, bump stops, shackles, U-bolts, bump stop extensions, and rear shocks
2001-2006	2WD / 4WD	--	2.00"	3.00"	All vehicles with rear air suspension	<b>9958</b>	Front torsion keys, rear coils, and rear air brackets

\*NOTE: THIS RADIUS MUST BE TANGENTIAL AND FREE OF ANY TOOL MARKS.



Please visit our website at [WWW.GROUNDFORCE.COM](http://WWW.GROUNDFORCE.COM) for the most current fitment lists

# Front Coil Lowering Kits

Chevrolet - GMC

## Chevrolet

YEAR	DRIVETRAIN	CAB SIZE	LOWER		NOTES	KIT #	KIT CONTENTS
			FRONT	REAR			
<b>Blazer C-10</b>							
1973-1987		--	2.00"	--	1/2 Ton	1027	Front coils
1973-1987		--	3.00"	--	1/2 Ton	1026	Front coils
<b>C-10 Pickup</b>							
1973-1987	2WD	--	2.00"	--	1/2 Ton	1027	Front coils
1973-1987	2WD	--	3.00"	--	1/2 Ton	1026	Front coils
<b>S-10 Pickup</b>							
1980-2004		--	1.00"- 2.00"	--	4-cyl Eng = 1" drop; 6-cyl Eng = 2" drop	1022	Front coils
1980-2004		--	2.00"- 3.00"	--	4-cyl Eng = 2" drop; 6-cyl Eng = 3" drop	1023	Front coils
1980-2004		--	3.00"	--	4-cyl Eng = 3" drop	1025	Front coils
<b>Silverado 1500 Pickup</b>							
1999-2007	2WD	Extended Cab	2.00"	--	Fits 2007 Silverado with classic body style	1043	Front coils
1999-2006	2WD	Regular Cab / Extended Cab	1.30"- 2.00"	--	Regular cab = 1.3" drop; Extended cab = 2" drop; PRICE BUSTER!	1050	Front coils
1999-2006	2WD	Regular Cab	2.00"	--		1044	Front coils with bump stops
1999-2006	2WD	Extended Cab	3.00"	--		1044	Front coils with bump stops
1988-1998	2WD	--	2.00"	--	All	1030	Front coils
1990-1994	2WD	--	2.00"	--	454 SS	1030	Front coils
<b>Silverado 2500</b>							
1988-2008		--	2.00"	--	Light Duty	1030	Front coils
<b>Tahoe</b>							
1995-1998	2WD	--	2.00"	--		1030	Front coils

## Ford

YEAR	DRIVETRAIN	CAB SIZE	LOWER		NOTES	KIT #	KIT CONTENTS
			FRONT	REAR			
<b>Expedition</b>							
1997-2002	2WD	--	2.00"	--		1036	Front coils
<b>F-150</b>							
1997-2003	2WD	--	2.00"	--		1036	Front coils
<b>F-150 Lightning</b>							
2004	2WD	--	1.00"	--		1036	Front coils

## GMC

YEAR	DRIVETRAIN	CAB SIZE	LOWER		NOTES	KIT #	KIT CONTENTS
			FRONT	REAR			
<b>Jimmy C-10</b>							
1973-1987		--	2.00"	--	1/2 Ton	1027	Front coils
1973-1987		--	3.00"	--	1/2 Ton	1026	Front coils
<b>Sierra 1500 Pickup</b>							
1999-2007	2WD	Extended Cab	2.00"	--	Fits 2007 Sierra with classic body style	1043	Front coils
1999-2006	2WD	Regular Cab / Extended Cab	1.30"- 2.00"	--	Regular cab = 1.3" drop; Extended cab = 2" drop; PRICE BUSTER!	1050	Front coils
1999-2006	2WD	Regular Cab	2.00"	--		1044	Front coils with bump stops
1999-2006	2WD	Extended Cab	3.00"	--		1044	Front coils with bump stops
1988-1998	2WD	--	2.00"	--	All	1030	Front coils

Please visit our website at [WWW.GROUNDFORCE.COM](http://WWW.GROUNDFORCE.COM) for the most current fitment lists

# Front Coil Lowering Kits

## GMC

### GMC (continued)

YEAR	DRIVETRAIN	CAB SIZE	LOWER		NOTES	KIT #	KIT CONTENTS
			FRONT	REAR			
<b>Sierra 2500</b>							
1988-1998	2WD	--	2.00"	--	Light Duty	1030	Front coils
<b>Suburban</b>							
1992-1998		--	2.00"	--	All	1030	Front coils

# Front Lowering Spindle Kits

## Buick - Chevrolet

### Buick

YEAR	DRIVETRAIN	CAB SIZE	LOWER		NOTES	KIT #	KIT CONTENTS
			FRONT	REAR			
<b>Grand National / Regal</b>							
1980-1987		--	2.00"	--		6002	Front spindles and hardware

### Cadillac

YEAR	DRIVETRAIN	CAB SIZE	LOWER		NOTES	KIT #	KIT CONTENTS
			FRONT	REAR			
<b>Escalade</b>							
2007-2014	2WD / 4WD	--	2.00"	--	All, including ESV/EXT	6010	Front spindles and hardware
2000-2006	2WD / 4WD	--	2.00"	--	All, including ESV/EXT	6005	Front spindles and hardware

### Chevrolet

YEAR	DRIVETRAIN	CAB SIZE	LOWER		NOTES	KIT #	KIT CONTENTS
			FRONT	REAR			
<b>454 SS</b>							
1990-2004	2WD	--	2.00"	--	With 1.25" rotor	6007	Front spindles and hardware
<b>Avalanche</b>							
2007-2013	2WD / 4WD	Crew Cab	2.00"	--		6010	Front spindles and hardware
2000-2006	2WD / 4WD	Crew Cab	2.00"	--		6005	Front spindles and hardware
<b>Blazer C-10</b>							
1973-1990	2WD	--	2.50"	--	With 1.25" rotor; 1/2 Ton	6001	Front spindles and hardware
<b>C-10</b>							
1973-1987	2WD	--	2.50"	--	With 1" rotor	6000	Front spindles and hardware
1973-1987	2WD	--	2.50"	--	With 1.25" rotor	6001	Front spindles and hardware
<b>C-1500</b>							
1988-1998	2WD	--	2.00"	--	Light Duty; With 1.25" rotor	6007	Front spindles and hardware
1988-1991	2WD	--	2.00"	--	With 1" rotor	6003	Front spindles and hardware
<b>C-2500</b>							
1988-1998	2WD	--	2.00"	--	Light Duty; With 1.25" rotor	6007	Front spindles and hardware
<b>El Camino / Malibu / Monte Carlo</b>							
1980-1987		--	2.00"	--		6002	Front spindles and hardware

2.225

3.050

.03x45°

Please visit our website at [WWW.GROUNDFORCE.COM](http://WWW.GROUNDFORCE.COM) for the most current fitment lists

# Front Lowering Spindle Kits

## Chevrolet - Pontiac

### Chevrolet (continued)

YEAR	DRIVETRAIN	CAB SIZE	LOWER		NOTES	KIT #	KIT CONTENTS
			FRONT	REAR			
<b>Jimmy</b>							
1982-1997	2WD	--	2.00"	--		6002	Front spindles and hardware
<b>Jimmy C-10</b>							
1973-1990	2WD	--	2.50"	--	With 1.25" rotor; 1/2 Ton	6001	Front spindles and hardware
<b>S-10 Pickup</b>							
1982-2004	2WD	--	2.00"	--		6002	Front spindles and hardware
<b>Silverado 1500</b>							
2014 and up		Regular Cab / Double Cab / Crew Cab	2.00"	--		<b>NEW</b> 6014	Front cast steel spindles
2007-2013	2WD / 4WD	--	2.00"	--		6010	Front spindles and hardware
2000-2006	2WD / 4WD	Regular Cab / Extended Cab / Crew Cab	2.00"	--		6005	Front spindles and hardware
<b>Suburban</b>							
2007-2014	2WD / 4WD	--	2.00"	--		6010	Front spindles and hardware
1992-1998	2WD	--	2.00"	--	With 1.25" rotor	6007	Front spindles and hardware
1973-1990	2WD	--	2.50"	--	With 1.25" rotor; 1/2 Ton	6001	Front spindles and hardware
<b>Chevrolet Tahoe</b>							
2007-2014	2WD / 4WD	--	2.00"	--		6010	Front spindles and hardware
2000-2006	2WD / 4WD	--	2.00"	--		6005	Front spindles and hardware
1995-1999	2WD	--	2.00"	--	With 1.25" rotor	6007	Front spindles and hardware

### GMC

YEAR	DRIVETRAIN	CAB SIZE	LOWER		NOTES	KIT #	KIT CONTENTS
			FRONT	REAR			
<b>Sierra 1500</b>							
2014 and up		Regular Cab / Double Cab / Crew Cab	2.00"	--		<b>NEW</b> 6014	Front cast steel spindles
2007-2013	2WD / 4WD	--	2.00"	--		6010	Front spindles and hardware
2000-2006	2WD / 4WD	Regular Cab / Extended Cab / Crew Cab	2.00"	--		6005	Front spindles and hardware
<b>Yukon</b>							
2007-2014	2WD / 4WD	--	2.00"	--		6010	Front spindles and hardware
2000-2006	2WD / 4WD	--	2.00"	--		6005	Front spindles and hardware
1995-1999	2WD	--	2.00"	--	With 1.25" rotor	6007	Front spindles and hardware
<b>Yukon Denali</b>							
2007-2014	2WD / 4WD	--	2.00"	--		6010	Front spindles and hardware
2001-2006	2WD / 4WD	--	2.00"	--		6005	Front spindles and hardware
<b>Yukon XL</b>							
2007-2014	2WD / 4WD	--	2.00"	--		6010	Front spindles and hardware
2000-2006	2WD / 4WD	--	2.00"	--		6005	Front spindles and hardware

### Pontiac

YEAR	DRIVETRAIN	CAB SIZE	LOWER		NOTES	KIT #	KIT CONTENTS
			FRONT	REAR			
<b>Bonneville / Cutlass 442 / Grand Prix</b>							
1980-1987		--	2.00"	--		6002	Front spindles and hardware

# Rear Lowering Shackle Kits

## Chevrolet - Ford

### Chevrolet

YEAR	DRIVETRAIN	CAB SIZE	LOWER		NOTES	KIT #	KIT CONTENTS
			FRONT	REAR			

<b>Blazer C-10</b>							
1973-1990	2WD	--	--	2.00"	1/2 Ton	91144	Shackles

<b>C-10</b>							
1973-1987	2WD	--	--	2.00"	1/2 Ton	91144	Shackles

<b>Silverado 1500</b>							
2014 and up	2WD	Double Cab / Crew Cab	--	2.00"		<b>NEW</b> 91216	Shackles and shims
2014 and up		Regular Cab	--	2.00"		<b>NEW</b> 91220	TBA
2014 and up		Regular Cab	--	3.00"		<b>NEW</b> 91221	TBA
2007-2013	2WD	Regular Cab	--	1.50"		91210	Shackles and wedges
2007-2013	2WD / 4WD	Extended Cab / Crew Cab	--	2.00"		91208	Shackles
2007-2013	4WD	Regular Cab	--	2.50"		91209	Shackles, U-bolts, and wedges
2007-2013	2WD / 4WD	Extended Cab / Crew Cab	--	2.50"		91212	Shackles, U-bolts, trans spacers, and wedges
2005-2007	2WD	Crew Cab	--	2.00"		91143	Shackles
1999-2007	2WD	Extended Cab	--	2.00"	Fits all vehicles with two piece driveshaft	91156	Shackles
1999-2006	2WD	Regular Cab	--	2.00"		91153	Shackles
1988-1998	2WD	--	--	2.00"	Light Duty	91143	Shackles
1990-1994		--	--	2.00"	454 SS	91143	Shackles

<b>Silverado 2500</b>							
1989-2004		--	--	2.00"	Light & Heavy Duty	91143	Shackles

<b>Silverado 3500</b>							
1989-2004		--	--	2.00"	Heavy Duty	91143	Shackles

### Dodge

YEAR	DRIVETRAIN	CAB SIZE	LOWER		NOTES	KIT #	KIT CONTENTS
			FRONT	REAR			

<b>Ram 1500</b>							
2002-2008	2WD / 4WD	Regular Cab / Crew Cab	--	1.50"		91142	Shackles
1994-2001		--	--	2.00"	3/4 Ton, 7500 GVW	91146	Shackles
1994-2001		--	--	2.00"	1/2 Ton, 6010 GVW	91146	Shackles

<b>Ram SRT10</b>							
2004-2006		Crew Cab	--	1.50"		91142	Shackles

### Ford

YEAR	DRIVETRAIN	CAB SIZE	LOWER		NOTES	KIT #	KIT CONTENTS
			FRONT	REAR			

<b>F-150</b>							
2015 and up	2WD / 4WD	Regular Cab / Super Cab / Super Crew	--	2.00"		<b>NEW</b> 91219	TBA
2004-2014	2WD / 4WD	Regular Cab / Super Cab / Super Crew	--	1.50"-2.00"		91200	Shackles and shims
1997-2003	2WD / 4WD	Regular Cab / Super Cab / Super Crew	--	2.00"		91148	Shackles
1987-1996	2WD	Regular Cab / Super Cab / Super Crew	--	2.00"		91144	Shackles

# Rear Lowering Shackle Kits

## GMC - Toyota

### GMC

YEAR	DRIVETRAIN	CAB SIZE	LOWER		NOTES	KIT #	KIT CONTENTS
			FRONT	REAR			
<b>Jimmy C-10</b>							
1973-1990	2WD	--	--	2.00"	1/2 Ton	91144	Shackles
<b>Sierra 1500</b>							
2014 and up	2WD	Double Cab / Crew Cab	--	2.00"		<b>NEW</b> 91216	Shackles and shims
2014 and up		Regular Cab	--	2.00"		<b>NEW</b> 91220	TBA
2014 and up		Regular Cab	--	3.00"		<b>NEW</b> 91221	TBA
2007-2013	2WD	Regular Cab	--	1.50"		91210	Shackles and wedges
2007-2013	2WD / 4WD	Extended Cab / Crew Cab	--	2.00"		91208	Shackles
2007-2013	4WD	Regular Cab	--	2.50"		91209	Shackles, U-bolts, and wedges
2007-2013	2WD / 4WD	Extended Cab / Crew Cab	--	2.50"		91212	Shackles, U-bolts, trans spacers, and wedges
2005-2007	2WD	Crew Cab	--	2.00"		91143	Shackles
1999-2007	2WD	Extended Cab	--	2.00"	Fits all vehicles with two piece driveshaft	91156	Shackles
1988-2006	2WD	Regular Cab / Crew Cab	--	2.00"		91143	Shackles
<b>Sierra 2500</b>							
1989-2004		--	--	2.00"	Light & Heavy Duty	91143	Shackles
<b>Sierra 3500</b>							
1989-2004		--	--	2.00"	Heavy Duty	91143	Shackles
<b>Suburban</b>							
1973-1998	2WD	--	--	2.00"	1/2 Ton	91144	Shackles

### Lincoln

YEAR	DRIVETRAIN	CAB SIZE	LOWER		NOTES	KIT #	KIT CONTENTS
			FRONT	REAR			
<b>Mark LT</b>							
2006-2008	2WD / 4WD	--	--	1.50"-2.00"		91200	Shackles and shims

### Toyota

YEAR	DRIVETRAIN	CAB SIZE	LOWER		NOTES	KIT #	KIT CONTENTS
			FRONT	REAR			
<b>Tundra</b>							
2001-2006		--	--	1.00"	Full Size	91202	Shackles



Please visit our website at [WWW.GROUNDFORCE.COM](http://WWW.GROUNDFORCE.COM) for the most current fitment lists

# Rear Lowering Kits

## Cadillac - Chevrolet

### Cadillac

YEAR	DRIVETRAIN	CAB SIZE	LOWER		NOTES	KIT #	KIT CONTENTS
			FRONT	REAR			

### Escalade

2015 and up	2WD / 4WD / AWD	--	--	2.00"	All vehicles with rear air suspension	<b>NEW</b> 91218	TBA
-------------	-----------------	----	----	-------	---------------------------------------	------------------	-----

### Chevrolet

YEAR	DRIVETRAIN	CAB SIZE	LOWER		NOTES	KIT #	KIT CONTENTS
			FRONT	REAR			

### Avalanche

2007-2013	2WD / 4WD	Crew Cab	--	2.50"	All vehicles without rear air suspension	91207	Rear coils and rear shocks
2000-2006		Crew Cab	--	2.50"	All vehicles without rear air suspension	1086	Rear coils, rear shocks, and sway bar spacers

### Silverado 1500

2014 and up	2WD	Double Cab / Crew Cab	--	4.00"		<b>NEW</b> 91217	Flip kit, shackles, and hangers
2007-2013	2WD	Extended Cab / Crew Cab	--	5.00"		91211	Rear flip kit

### Suburban

2015 and up	2WD / 4WD / AWD	--	--	2.00"	All vehicles with rear air suspension	<b>NEW</b> 91218	TBA
2015 and up	2WD	--	--	2.00"	All vehicles without rear air suspension	<b>NEW</b> 91222	Rear coils, coil spacers, and hardware
2007-2014	2WD / 4WD	--	--	2.50"	All vehicles without rear air suspension	91207	Rear coils and rear shocks
2000-2005		--	--	2.50"	All vehicles without rear air suspension	1086	Rear coils, rear shocks, and sway bar spacers
2000-2005	2WD / 4WD	--	--	3.00"	All vehicles without rear air suspension	1080	Rear coils and rear shocks ONLY

### Tahoe

2015 and up	2WD / 4WD / AWD	--	--	2.00"	All vehicles with rear air suspension	<b>NEW</b> 91218	TBA
2015 and up	2WD	--	--	2.00"	All vehicles without rear air suspension	91222	Rear coils, coil spacers, and hardware
2007-2014	2WD / 4WD	--	--	2.50"	All vehicles without rear air suspension	91207	Rear coils and rear shocks
2000-2005		--	--	2.50"	All vehicles without rear air suspension	1086	Rear coils, rear shocks, and sway bar spacers



Please visit our website at [WWW.GROUNDFORCE.COM](http://WWW.GROUNDFORCE.COM) for the most current fitment lists



# Rear Lowering Kits

Dodge - GMC

## Dodge

YEAR	DRIVETRAIN	CAB SIZE	LOWER		NOTES	KIT #	KIT CONTENTS
			FRONT	REAR			

### Ram 1500

2009 and up	2WD / 4WD	Regular Cab	--	2.00"		91213	Rear coils and rear shocks
2009 and up	2WD / 4WD	Crew Cab / Quad Cab	--	2.00"		91214	Rear coils and rear shocks

## Ford

YEAR	DRIVETRAIN	CAB SIZE	LOWER		NOTES	KIT #	KIT CONTENTS
			FRONT	REAR			

### Expedition

1997-2002		--	--	2.00"	All vehicles with non-air rear suspension	1081	Rear coils and rear shocks
-----------	--	----	----	-------	---	------	----------------------------

### F-150

2009-2014		Super Cab / Super Crew	--	--		<b>NEW</b> 19779	Carrier bearing relocation kit
-----------	--	------------------------	----	----	--	------------------	--------------------------------

## GMC

YEAR	DRIVETRAIN	CAB SIZE	LOWER		NOTES	KIT #	KIT CONTENTS
			FRONT	REAR			

### Sierra 1500

2014 and up	2WD	Double Cab / Crew Cab	--	4.00"		<b>NEW</b> 91217	Flip kit, shackles, and hangers
2007-2013	2WD	Extended Cab / Crew Cab	--	5.00"		91211	Rear flip kit, rear shackles and hangers, and bump stops

### Sierra 1500 Denali

2014 and up	2WD	Double Cab / Crew Cab	--	4.00"		<b>NEW</b> 91217	Flip kit, shackles, and hangers
2007-2013	2WD	Extended Cab / Crew Cab	--	5.00"		91211	Rear flip kit

## Yukon

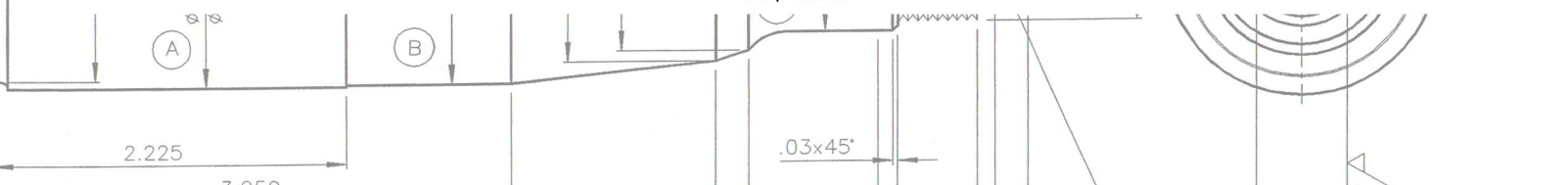
2015 and up	2WD / 4WD / AWD	--	--	2.00"	All vehicles with rear air suspension	<b>NEW</b> 91218	TBA
2015 and up	2WD	--	--	2.00"	All vehicles without rear air suspension	91222	Rear coils, coil spacers, and hardware
2007-2014	2WD / 4WD	--	--	2.50"	All vehicles without rear air suspension	91207	Rear coils and rear shocks
2000-2006		--	--	2.50"	All vehicles without rear air suspension	1086	Rear coils, rear shocks, and sway bar spacers

### Yukon Denali

2015 and up	2WD / 4WD / AWD	--	--	2.00"	All vehicles with rear air suspension	<b>NEW</b> 91218	TBA
-------------	-----------------	----	----	-------	---------------------------------------	------------------	-----

### Yukon XL

2015 and up	2WD / 4WD / AWD	--	--	2.00"	All vehicles with rear air suspension	<b>NEW</b> 91218	TBA
2015 and up	2WD	--	--	2.00"	All vehicles without rear air suspension	91222	Rear coils, coil spacers, and hardware
2007-2014	2WD / 4WD	--	--	2.50"	All vehicles without rear air suspension	91207	Rear coils and rear shocks
2000-2005	2WD / 4WD	--	--	3.00"	All vehicles without rear air suspension	1080	Rear coils and rear shocks ONLY



Please visit our website at [WWW.GROUNDFORCE.COM](http://WWW.GROUNDFORCE.COM) for the most current fitment lists

# Rear Lowering Block Kits

All

## Chevrolet

YEAR	DRIVETRAIN	CAB SIZE	LOWER		NOTES	KIT #	KIT CONTENTS
			FRONT	REAR			
<b>S-10 Pickup</b>							
1982-2002	2WD	--	--	1.00"		100	Rear block kit
1982-2002	2WD	--	--	2.00"		91127	Rear block kit
1982-2002	2WD	--	--	3.00"		91128	Rear block kit

## Dodge

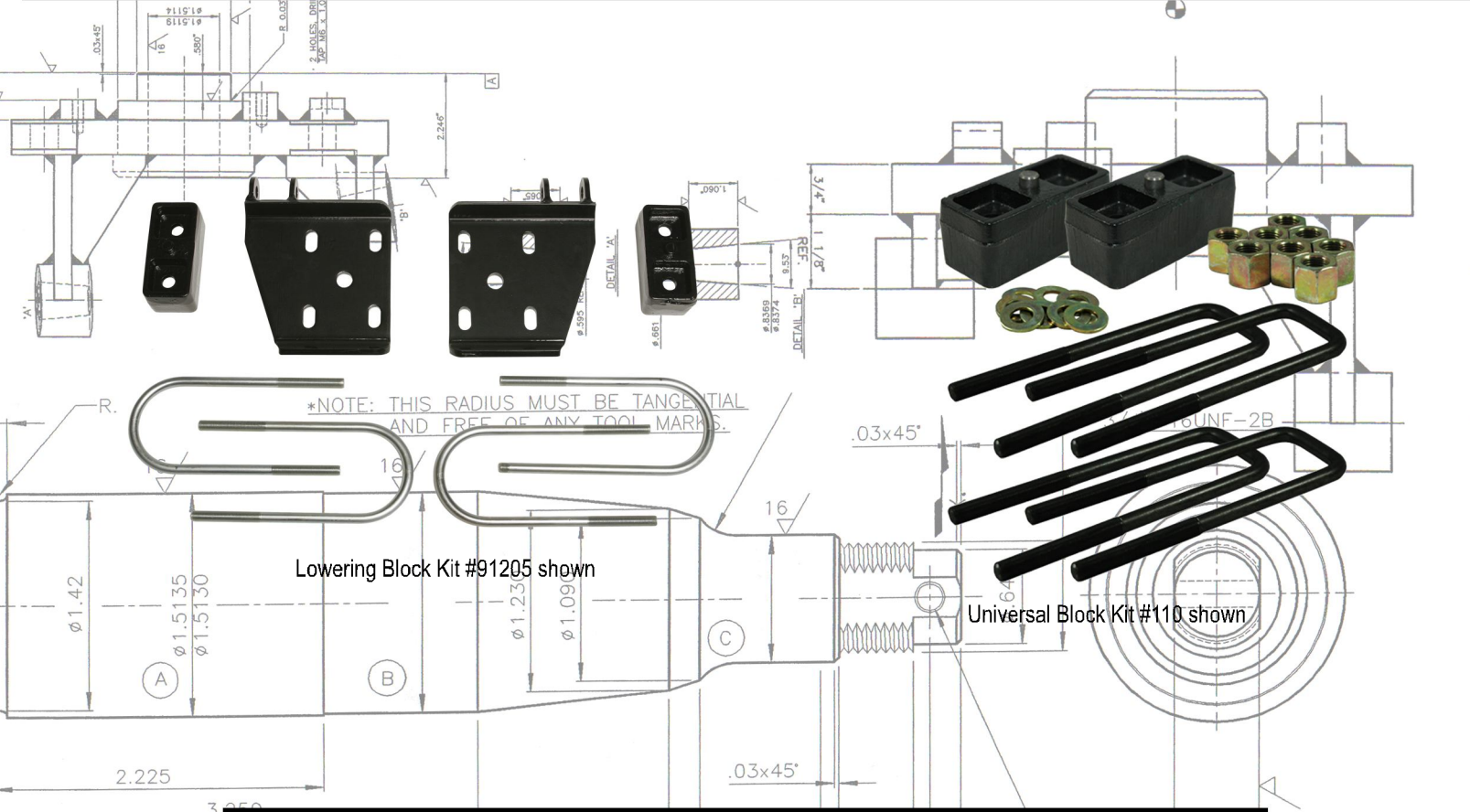
YEAR	DRIVETRAIN	CAB SIZE	LOWER		NOTES	KIT #	KIT CONTENTS
			FRONT	REAR			
<b>Dakota</b>							
1997-2003	2WD	--	--	2.00"	With 3" OD rear axle	91123	Rear block kit
<b>Dakota RT</b>							
1997-2003	2WD	--	--	2.00"	With 3.5" OD rear axle	91122	Rear block kit
1997-2003	2WD	--	--	3.00"	With 3" OD rear axle	91124	Rear block kit

## Hummer

YEAR	DRIVETRAIN	CAB SIZE	LOWER		NOTES	KIT #	KIT CONTENTS
			FRONT	REAR			
<b>Hummer H3</b>							
2005-2008		--	--	2.00"		91205	Blocks, U-bolts, and spring plates

## Universal

YEAR	DRIVETRAIN	CAB SIZE	LOWER		NOTES	KIT #	KIT CONTENTS
			FRONT	REAR			
<b>All</b>							
		--	--	1.00"		100	Rear block kit
		--	--	2.00"		110	Rear block kit
		--	--	3.00"		120	Rear block kit



Please visit our website at [WWW.GROUNDFORCE.COM](http://WWW.GROUNDFORCE.COM) for the most current fitment lists

# Lowering Shocks

## Applications Guide

### Shock Features

Ground Force nitrogen gas-charged shocks are designed, engineered, and manufactured to critical quality standards for optimum performance.

These high-pressure, gas-charged units are specially valved per application so you can be sure they are precision matched to your vehicle.

- High Pressure Nitrogen Gas Charged - For improved ride and handling; helps maintain tire to road contact by reducing aeration.
- 1-3/8" Bore - More optimal operating pressures than standard 1" bore units.
- Urethane Bushings - Longer lasting and more durable than rubber bushings.
- 10-Stage, Full Displaced Valving - Better valving range on both the compression and extension cycles of the unit for a smooth, comfortable ride.

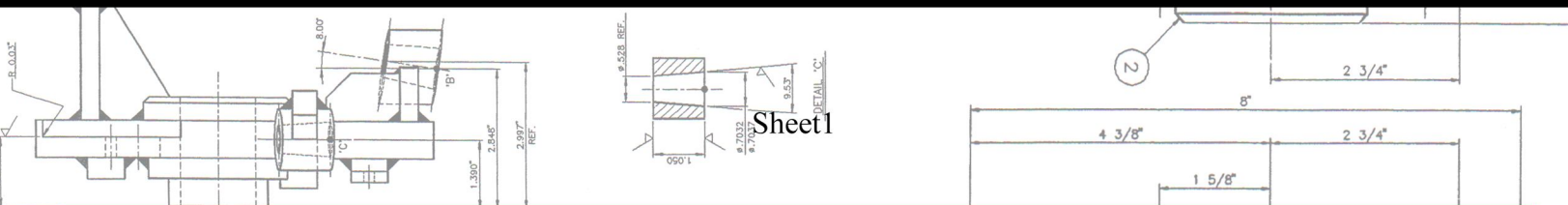
- Internal Bump Stops - Cushions full rebound impact.
- Sintered Iron Piston - Helps eliminate fluid "by-pass" of piston valving.
- 5/8" Diameter Rod - Heavy-duty rod for consistent control and longer service life.
- 2-3/8" Reserve Tube - (when space allows) More fluid for more consistent performance.
- Unique Seal - Designed to retain gas charge without excessive wear or friction between rod and seal.
- Double Arc Weld - For greater strength and lasting durability.

YEAR	MODEL	FRONT TO 4"	REAR TO 4" (PASS/DRIVER)	REAR TO 5" - 6" (PASS/DRIVER)
<b>GM</b>	1999-2006 C-15 Chevy-GMC	70040	70042/70041#	(70042/70041 5" Only)
	2007-2013 C-15 Ext/Crew 2WD/4WD	--	70042	--
	2007-2013 C-15 Ext/Crew 2WD	--	--	DR 70041 PASS 70042
	2007-2013 C-15 Reg Cab Short Bed	--	70066	70066
	1982-2004 S-10/S-15 Pickup, Blazer/Jimmy	70028	70002/70018+	70018
	1992-1998 1/2 Ton Suburban	70013	70018	70018/70020*
	1988-1998 1/2 Ton C-1500 all, plus Ext Cab, SS 454 with shock extender	70013	70002	70002/70018*
	1988-1998 3/4 Ton C-2500 Light Duty (Except 8600# GVW) with shock extender	70013	70002	70002/70018
	C-3500/C-2500 with shock extender	--	--	70018
	2004-2008 Canyon/Colorado/2"-3"/Z-Q8 & Z-85	--	70056	--
	1995-1999 Tahoe/Yukon 2-Door 2WD	70013	70002	--
	1995-1999 Tahoe/Yukon 4-Door 2WD	70013	70018	--
	1995-1999 Tahoe/Yukon 4-Door 4WD	--	70018	--
	1994-1999 Tahoe/Yukon 2-Door 4WD	--	70018	--
	2007-2014 Tahoe/Yukon 2WD/4WD	--	70052	--
2000-2006 Tahoe/Yukon/Avalanche 4WD	70043 (2.0")	70052 (3.0")	--	
2007-2014 Tahoe/Yukon/Avalanche/Suburban 2WD/4WD	--	70052	--	
2000-2006 Tahoe/Yukon/Yukon XL/Avalanche/Suburban 2WD/4WD	70043	70052 (2.5")	70045 (3")	
<b>FORD</b>	1985-2003 Astro/Safari Van	--	70003	--
	2009-2014 Ford F-150 2WD	--	70069	--
	1997-2003 Ford F-150/Super Crew/Harley/Lightning	70026	70027	--
	1997-2003 Ford F-150 4WD	70044	70046	--
	1997-2002 Ford Expedition 4WD	70036 (2.5")	70037 (2.5")	--
	1997-2002 Ford Expedition 2WD	70026	70035	--
	2004-2008 Ford F-150 All	--	70060	70055 2WD/70064 Air Shocks
	2009-2014 Dodge 1/2 Ton All	--	Rear 3" 70070	--
	2002-2005 Dodge 1/2 Ton 4WD	70057	70051	--
	2006-2008 Dodge 1/2 Ton 4WD	--	70051	--
<b>DODGE</b>	1994-2001 Dodge 3/4 Ton/1 Ton (2500-3500)	70034	--	--
	2002-2008 Dodge Reg./Quad Cab 2WD	70050 (2.0")	70051 (5.0")	--
	1997-2003 Dodge Dakota	70029	70003	--
	1981-1995 Isuzu	70007	--	--
	1996-2003 Isuzu Hombre	70028	70002	70018
	1986-1997 Nissan	70007	--	--
	2007-2009 Toyota Tundra	--	70067	--
	2003-2007 Hummer H2	--	70053	--
	2006-2008 Hummer H3	--	70063	--

\* Needs shock extender if used with other than Ground Force kit. #70002 used on both sides for C-1500 Framesaver kit.  
 + Use 70018 with mono- and multi-leaves only.  
 # 1999 C-1500 with 2" shackle kit use 70042 passenger and driver.

# Lowering Shocks

## Specifications

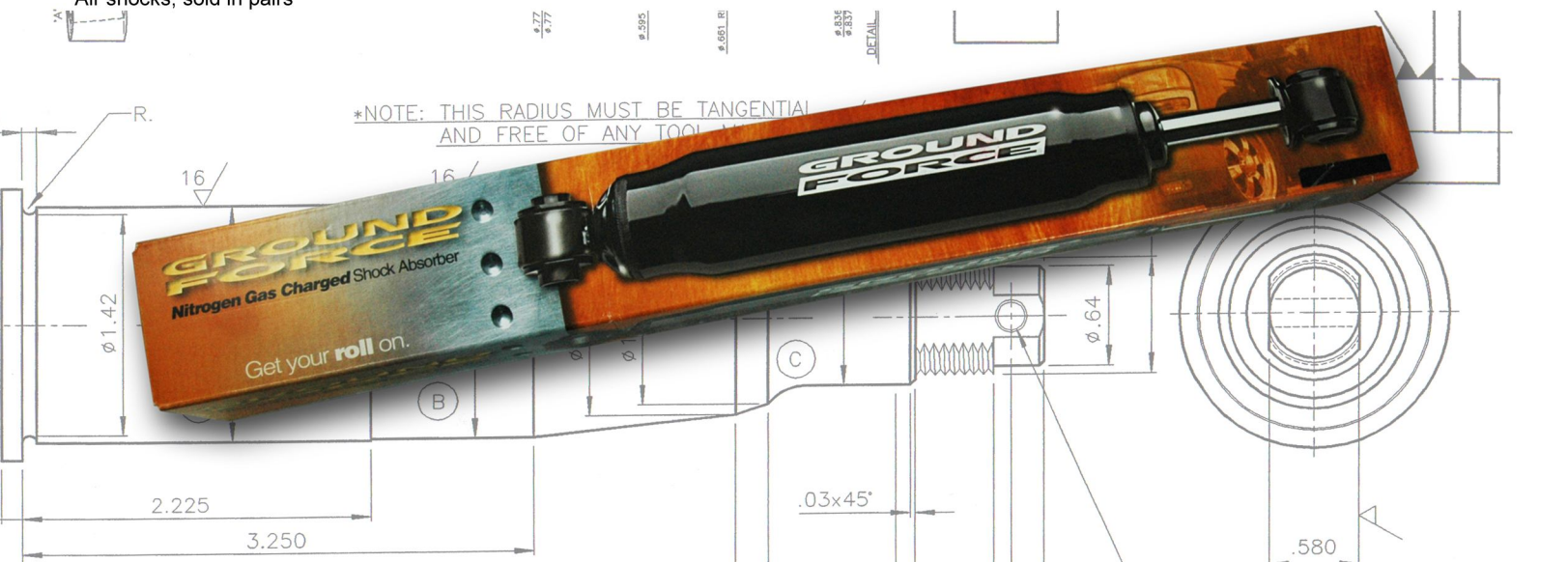


Sheet 1

PART NUM	EXTENDED LENGTH	COLLAPSED LENGTH	UPPER MOUNT	MAJOR DIMENSION	LOWER MOUNT	MAJOR DIMENSION
----------	-----------------	------------------	-------------	-----------------	-------------	-----------------

70002	23.9"	14.40"	Bar Pin	2.9" Hole Center	Loop	Inside Diameter: 0.57", Length: 1.7"
70003	20.0"	12.60"	Loop	Inside Diameter: 0.51", Length: 1.6"	Loop	Inside Diameter: 0.51", Length: 1.6"
70007	13.2"	8.60"	Stem	Bushing Inside Diameter: 0.375"	Loop	Inside Diameter: 0.5", Length: 1.25"
70008	14.4"	9.60"	Loop	Bushing Inside Diameter: 0.62"	Loop	Inside Diameter: 0.5", Length: 1.4"
70010	20.2"	12.60"	Loop	Bushing Inside Diameter: 0.62"	Loop	Inside Diameter: 0.57", Length: 1.7"
70013	14.2"	9.30"	Stem	Bushing Inside Diameter: 0.375"	Bar Pin	2.5" Hole Center
70018	20.2"	12.60"	Bar Pin	2.9" Hole Center	Loop	Inside Diameter: 0.57", Length: 1.7"
70026	14.6"	10.10"	Stem	Bushing Inside Diameter: 0.5"	Bar Pin	2.5" Hole Center
70027	21.5"	13.10"	Stem	Bushing Inside Diameter: 0.375"	Loop	Inside Diameter: 0.5", Length: 1.5"
70028	13.4"	8.90"	Stem	Bushing Inside Diameter: 0.375"	Bar Pin	2.25" Hole Center
70029	13.4"	8.90"	Stem	Bushing Inside Diameter: 0.375"	Bar Pin	2.56" Hole Center
70034	14.2"	9.30"	Stem	Bushing Inside Diameter: 0.375"	Loop	Inside Diameter: 0.57", Length: 1.7"
70035	20.0"	12.60"	Loop	Inside Diameter: 0.51", Length: 1.5"	Loop	Inside Diameter: 0.51", Length: 1.5"
70037	23.8"	14.30"	Loop	Inside Diameter: 0.485", Length: 1.48"	Loop	Inside Diameter: 0.485", Length: 1.48"
70040	13.7"	9.30"	Stem	Bushing Inside Diameter: 0.375"	Bar Pin	2.54" Hole Center
70041	19.7"	12.65"	Loop	Bushing Inside Diameter: 0.57"	Loop	Bushing Inside Diameter: 0.57"
70042	23.2"	14.48"	Loop	Bushing Inside Diameter: 0.57"	Loop	Bushing Inside Diameter: 0.57"
70043	13.9"	9.93"	Stem	Bushing Inside Diameter: 0.5"	Clevis	Inside Diameter: 1.38", Bolt: 0.6"
70044	14.8"	10.12"	Stem	Bushing Inside Diameter: 0.5"	Loop	Inside Diameter: 0.510", Length: 1.562"
70045	19.9"	12.71"	Loop	Bushing Inside Diameter: 0.57", Length: 1.68"	Loop	Inside Diameter: 0.57", Length: 1.68"
70046	21.8"	13.06"	Stem	Bushing Inside Diameter: 0.375"	Loop	Inside Diameter: 0.5", Length: 1.5"
70050	13.7"	9.30"	Stem	Bushing Inside Diameter: 0.5"	Bar Pin	2.92" Hole Center
70051	23.3"	14.44"	Loop	Inside Diameter: 0.57", Length: 1.68"	Loop	Inside Diameter: 0.57", Length: 1.68"
70052	23.2"	14.47"	Loop	Inside Diameter: 0.57", Length: 1.67"	Loop	Inside Diameter: 0.57", Length: 1.67"
70053	23.2"	14.48"	Loop	Inside Diameter: 0.57", Length: 1.68"	Loop	Inside Diameter: 0.57", Length: 1.68"
70055	19.9"	13.15"	Loop	Inside Diameter: 0.48", Length: 1.48"	Loop	Inside Diameter: 0.48", Length: 1.48"
70056	19.2"	12.24"	Bar Pin	2.875" Hole Center	Loop	Inside Diameter: 0.57", Length: 1.65"
70057	14.9"	10.11"	Stem	Bushing Inside Diameter: 0.5"	Loop	Inside Diameter: 0.57", Length: 1.67"
70060	23.7"	14.44"	Loop	Inside Diameter: 0.485", Length: 1.48"	Loop	Inside Diameter: 0.485", Length: 1.48"
70063	29.8"	14.30"	Bar Pin	2.9" Hole Center	Loop	Inside Diameter: 0.57", Length: 1.7"
70064*	20.4"	12.73"	Loop	Inside Diameter: 0.48", Length: 1.48"	Loop	Inside Diameter: 0.48", Length: 1.48"
70066	21.8"	13.96"	Loop	Inside Diameter: 0.57", Length: 1.68"	Loop	Inside Diameter: 0.57", Length: 1.68"
70067	21.5"	13.10"	Stem	Bushing Inside Diameter: 0.375"	Loop	Inside Diameter: 0.5", Length: 1.5"
70069	23.9"	14.40"	Loop	Inside Diameter: 0.48", Length: 1.49"	Loop	Inside Diameter: 0.48", Length: 1.49"
70070	22.4"	14.04"	Loop	Inside Diameter: 0.57", Length: 1.68"	Loop	Inside Diameter: 0.57", Length: 1.68"

\* Air shocks; sold in pairs



# Leveling Kits

## Chevrolet - Dodge/Ram

### Cadillac

YEAR	DRIVE TRAIN	LEVEL FRONT	REAR	NOTES	KIT #	KIT CONTENTS
------	-------------	-------------	------	-------	-------	--------------

<b>Escalade</b>						
2002-2006	2WD / 4WD	2.00"	--	Six (6) lug applications	3814	Torsion keys

<b>Escalade ESV</b>						
2002-2006	2WD / 4WD	2.00"	--	Six (6) lug applications	3814	Torsion keys

### Chevrolet

YEAR	DRIVE TRAIN	LEVEL FRONT	REAR	NOTES	KIT #	KIT CONTENTS
------	-------------	-------------	------	-------	-------	--------------

<b>Avalanche</b>						
2007-2013	2WD / 4WD	2.00"	--	Six (6) lug applications	3812P	Urethane spacers with strut extenders
2000-2006	2WD / 4WD	2.00"	--	Six (6) lug applications	3814	Torsion keys

<b>Pick-Up C/K 1500</b>						
1988-1998	4WD	2.00"	--	Six (6) lug applications	3814	Torsion keys

<b>Silverado C/K 1500</b>						
2014 and up	2WD / 4WD	2.00"	--	Six (6) lug applications	<b>NEW</b> 3840	Urethane spacers with strut extenders

2014 and up	2WD / 4WD	2.00"	1.00"	Six (6) lug applications	<b>NEW</b> 3841	Front urethane spacers, rear ductile iron blocks, and U-bolts
-------------	-----------	-------	-------	--------------------------	-----------------	---

2007-2013	2WD / 4WD	2.00"	--	Six (6) lug applications; Fits 2007 Silverado with new body style	3812P	Urethane spacers with strut extenders
-----------	-----------	-------	----	---	-------	---------------------------------------

2007-2013	2WD / 4WD	2.00"	1.00"	Six (6) lug applications; Fits 2007 Silverado with new body style	3813	Front urethane spacers, rear ductile iron blocks, and U-bolts
-----------	-----------	-------	-------	---	------	---

1999-2007	4WD	2.00"	--	Six (6) lug applications; Fits 2007 Silverado with classic body style	3814	Torsion keys
-----------	-----	-------	----	---	------	--------------

<b>Silverado C/K 2500</b>						
2011 and up	2WD / 4WD	2.00"-2.50"	--	Eight (8) lug applications	3832	Front torsion keys
2000-2010	2WD / 4WD	2.00"-2.50"	--	Eight (8) lug applications	3808	Torsion keys and shock extenders

<b>Silverado C/K 3500</b>						
2011 and up	2WD / 4WD	2.00"-2.50"	--	Eight (8) lug applications	3832	Front torsion keys
2000-2010	2WD / 4WD	2.00"-2.50"	--	Eight (8) lug applications	3808	Torsion keys and shock extenders

### Chevrolet (continued)

YEAR	DRIVE TRAIN	LEVEL FRONT	REAR	NOTES	KIT #	KIT CONTENTS
------	-------------	-------------	------	-------	-------	--------------

<b>Suburban</b>						
2015 and up	2WD / 4WD	2.00"	--	Six (6) lug applications	<b>NEW</b> 3840	Urethane spacers with strut extenders
2007-2014	2WD / 4WD	2.00"	--	Six (6) lug applications	3812P	Urethane spacers with strut extenders
2000-2006	2WD / 4WD	2.00"	--	Six (6) lug applications	3814	Torsion keys

<b>Suburban 2500</b>						
2011-2012	2WD / 4WD	2.00"-2.50"	--	Eight (8) lug applications	3832	Front torsion keys
2000-2010	2WD / 4WD	2.00"-2.50"	--	Eight (8) lug applications	3808	Torsion keys and shock extenders

<b>Suburban 3500</b>						
2000-2010	2WD / 4WD	2.00"-2.50"	--	Eight (8) lug applications	3808	Torsion keys and shock extenders

<b>Tahoe</b>						
2015 and up	2WD / 4WD	2.00"	--	Six (6) lug applications	<b>NEW</b> 3840	Urethane spacers with strut extenders

2007-2014	2WD / 4WD	2.00"	--	Six (6) lug applications	3812P	Urethane spacers with strut extenders
2000-2006	2WD / 4WD	2.00"	--	Six (6) lug applications	3814	Torsion keys

### Dodge/Ram

YEAR	DRIVE TRAIN	LEVEL FRONT	REAR	NOTES	KIT #	KIT CONTENTS
------	-------------	-------------	------	-------	-------	--------------

<b>Ram 1500</b>						
2015	4WD	2.00"	1.00"	All vehicles without rear air suspension	3821	Front urethane spacers with strut extenders and rear urethane coil spacers
2015	4WD	2.00"	--	All vehicles without rear air suspension	3817	Urethane spacers with strut extenders
2002-2005	4WD	2.00"	--		3827	Front torsion keys
1994-2001	4WD	2.00"	--		3819	Ground Force's revolutionary design front urethane/metal inner spacers

<b>Ram 2500</b>						
2013 and up	4WD	2.00"	--	Fits all after May 2013	<b>NEW</b> 3844	TBA
1994-2013	4WD	2.00"	--	Fits all up to May 2013	3819	Ground Force's revolutionary design front urethane/metal inner spacers

<b>Ram 3500</b>						
2013 and up	4WD	2.00"	--	Fits all after May 2013	<b>NEW</b> 3844	TBA
1994-2013	4WD	2.00"	--	Fits all up to May 2013	3819	Ground Force's revolutionary design front urethane/metal inner spacers



Please visit our website at [WWW.GROUNDFORCE.COM](http://WWW.GROUNDFORCE.COM) for the most current fitment lists

# Leveling Kits

Ford - GMC

## Ford

YEAR	DRIVE TRAIN	LEVEL		NOTES	KIT #	KIT CONTENTS
		FRONT	REAR			

### Expedition

2003-2007	2WD / 4WD	2.00"	--		3810	Urethane spacers with strut extenders
1997-2002	4WD	2.00"	--		3822	Front torsion keys

### F-150

2015 and up	4WD	2.00"	1.00"		<b>NEW</b> 3843	Front urethane spacers, strut extenders, rear steel blocks, and U-bolts
2015 and up	4WD	2.00"	--		<b>NEW</b> 3842	Urethane spacers with strut extenders
2004-2014	2WD / 4WD	2.00"	--	All motors including EcoBoost	3810	Urethane spacers with strut extenders
1997-2003	4WD	2.00"	--		3822	Front torsion keys

### F-250

2005-2014	4WD	2.00"	--		<b>NEW</b> 3833	TBA
-----------	-----	-------	----	--	-----------------	-----

### F-350

2005-2014	4WD	2.00"	--		<b>NEW</b> 3833	TBA
-----------	-----	-------	----	--	-----------------	-----

## GMC

YEAR	DRIVE TRAIN	LEVEL		NOTES	KIT #	KIT CONTENTS
		FRONT	REAR			

### C/K Z-71

1988-1998	4WD	2.00"	--	Six (6) lug applications	3814	Torsion keys
-----------	-----	-------	----	--------------------------	------	--------------

### Denali

2002-2006	2WD / 4WD	2.00"	--	Six (6) lug applications	3814	Torsion keys
-----------	-----------	-------	----	--------------------------	------	--------------

### Denali XL

2002-2006	2WD / 4WD	2.00"	--	Six (6) lug applications	3814	Torsion keys
-----------	-----------	-------	----	--------------------------	------	--------------

### Pick-Up C/K 1500

1988-1998	4WD	2.00"	--	Six (6) lug applications	3814	Torsion keys
-----------	-----	-------	----	--------------------------	------	--------------

### Sierra C/K 1500

2014 and up	2WD / 4WD	2.00"	--	Six (6) lug applications	<b>NEW</b> 3840	Urethane spacers with strut extenders
2014 and up	2WD / 4WD	2.00"	1.00"	Six (6) lug applications	<b>NEW</b> 3841	Front urethane spacers, rear ductile iron blocks, and U-bolts
2007-2013	2WD / 4WD	2.00"	--	Six (6) lug applications; Fits 2007 Sierra with new body style	3812P	Urethane spacers with strut extenders
2007-2013	2WD / 4WD	2.00"	1.00"	Six (6) lug applications; Fits 2007 Sierra with new body style	3813	Front urethane spacers, rear ductile iron blocks, and U-bolts
1999-2007	4WD	2.00"	--	Six (6) lug applications; Fits 2007 Sierra with classic body style	3814	Torsion keys

### Sierra C/K 2500

2011 and up	2WD / 4WD	2.00"-2.50"	--	Eight (8) lug applications	3832	Front torsion keys
2000-2010	2WD / 4WD	2.00"-2.50"	--	Eight (8) lug applications	3808	Torsion keys and shock extenders

## GMC (continued)

YEAR	DRIVE TRAIN	LEVEL		NOTES	KIT #	KIT CONTENTS
		FRONT	REAR			

### Sierra C/K 3500

2011 and up	2WD / 4WD	2.00"-2.50"	--	Eight (8) lug applications	3832	Front torsion keys
2000-2010	2WD / 4WD	2.00"-2.50"	--	Eight (8) lug applications	3808	Torsion keys and shock extenders

### Yukon

2014 and up	2WD / 4WD	2.00"	--	Six (6) lug applications	<b>NEW</b> 3840	Urethane spacers with strut extenders
2007-2013	2WD / 4WD	2.00"	--	Six (6) lug applications	3812P	Urethane spacers with strut extenders
2000-2006	2WD / 4WD	2.00"	--	Six (6) lug applications	3814	Torsion keys

### Yukon XL

2000-2006	2WD / 4WD	2.00"	--	Six (6) lug applications	3814	Torsion keys
-----------	-----------	-------	----	--------------------------	------	--------------

### Yukon XL 2500

2011-2012	2WD / 4WD	2.00"-2.50"	--	Eight (8) lug applications	<b>NEW</b> 3832	Front torsion keys
2000-2010	2WD / 4WD	2.00"-2.50"	--	Eight (8) lug applications	3808	Torsion keys and shock extenders

### Yukon XL 3500

2000-2010	2WD / 4WD	2.00"-2.50"	--	Eight (8) lug applications	3808	Torsion keys and shock extenders
-----------	-----------	-------------	----	----------------------------	------	----------------------------------

## Nissan

YEAR	DRIVE TRAIN	LEVEL		NOTES	KIT #	KIT CONTENTS
		FRONT	REAR			

### Titan

2004-2014	2WD / 4WD	2.00"	--		3825	Urethane spacers with strut extenders
-----------	-----------	-------	----	--	------	---------------------------------------

## Toyota

YEAR	DRIVE TRAIN	LEVEL		NOTES	KIT #	KIT CONTENTS
		FRONT	REAR			

### Tacoma

2005-2014	2WD / 4WD	2.00"	--	Six (6) lug applications	3826	Urethane spacers with strut extenders
1996-2004	2WD / 4WD	2.00"	--		3829	Urethane spacers with strut extenders

### Tundra

2007 and up	2WD / 4WD	2.00"	--		3828	Urethane spacers with strut extenders
1996-2006	2WD / 4WD	2.00"	--		3829	Urethane spacers with strut extenders



Please visit our website at [WWW.GROUNDFORCE.COM](http://WWW.GROUNDFORCE.COM) for the most current fitment lists

# GROUND FORCE

SUSPENSION SYSTEMS

## PROJECT VEHICLES



**WARNING**  
Modifying an original equipped vehicle will result in a vehicle handling differently. All types of suspension modifications will affect reaction, ride, handling and wear and tear rate of a vehicle and its components. Abrupt maneuvers, sharp and sudden turns and weather conditions will increase the vehicle's susceptibility for loss of control. Death and serious injury could be the result if you fail to operate a modified vehicle safely. Know and follow the laws of the states.

**Engineered  
from the  
Ground  
Up!**

\*NOTE: THIS RADIUS MUST BE TA...  
AND FREE OF ANY TOOL



**MADE  
IN USA** 

[www.groundforce.com](http://www.groundforce.com)

# Why get **LVL** with **GROUND FORCE**?



## STRUT EXTENDERS

- MADE FROM HEAT-TREATED 4140 ALLOY STEEL
- MILITARY-GRADE BLACK ZINC COATING WITH HYDROGEN EMBRITTLEMENT RELIEF
- ROLLED (NOT CUT) THREADS FOR GREATER STRENGTH

- MADE FROM HIGH STRENGTH DUCTILE IRON MATERIAL
- SAME MATERIAL AND PROCESS AS OEM SPECIFICATIONS
- BLACK POWDER COATED FOR CORROSION RESISTANCE
- SPECIFICALLY INDEXED FOR YOUR PARTICULAR VEHICLE

## TORSION BAR KEYS



## URETHANE SPACERS

- SPECIFICALLY ENGINEERED POLYURETHANE FOR EXCELLENT RIDE AND ROAD NOISE ISOLATION
- MADE FROM HIGH STRENGTH MATERIAL
- RESISTS HEAT, IMPACT, OIL, AND SOLVENTS

- PROUDLY DESIGNED, ENGINEERED, AND MANUFACTURED IN THE USA
- THE HIGHEST QUALITY AT AN UNBEATABLE PRICE!



Ground Force  
714 Braddock View Drive  
Mt. Braddock PA 15465  
Ph: 724-430-2068  
Fax: 724-430-2075  
email: [info@groundforce.com](mailto:info@groundforce.com)  
[www.groundforce.com](http://www.groundforce.com)

Please visit our website at [WWW.GROUNDFORCE.COM](http://WWW.GROUNDFORCE.COM) for the most current fitment lists